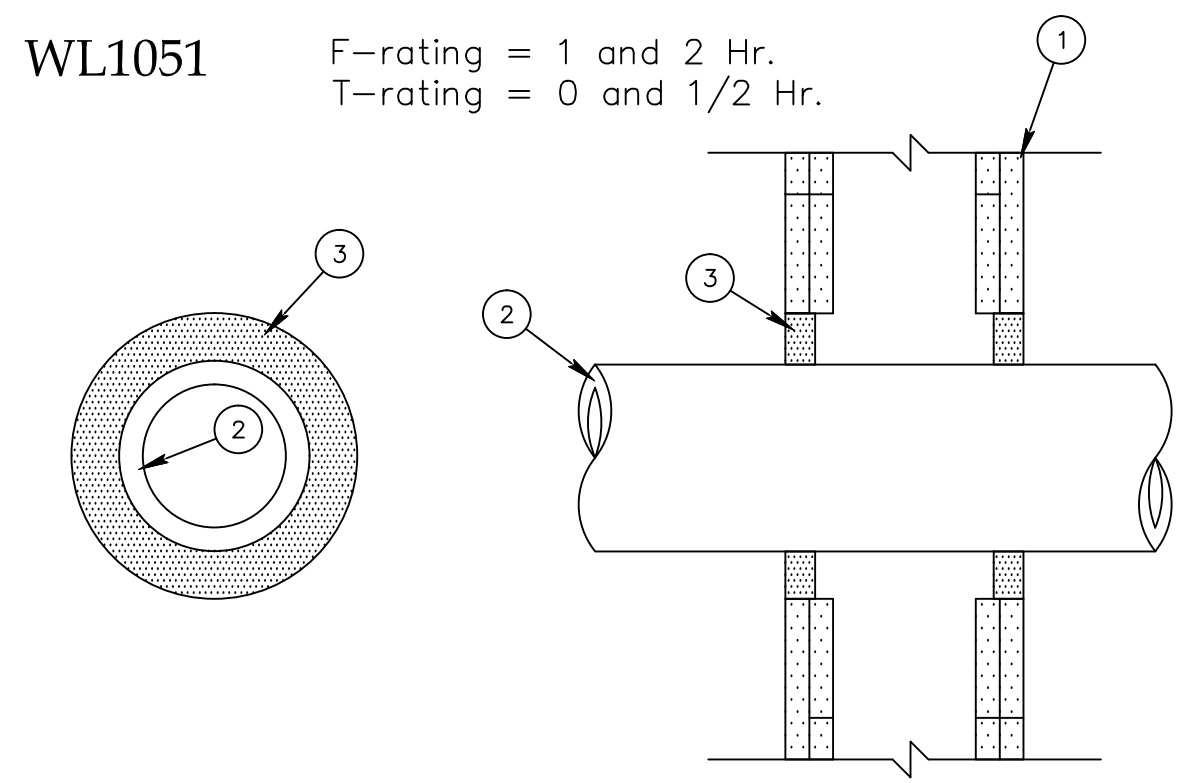




1 or 2 Hour Fire Rated Through Penetration Firestop for Single Metal Pipe through Gypsum walls using TREMstop WBM.

WL1051

F-rating = 1 and 2 Hr.
T-rating = 0 and 1/2 Hr.



- ① 1 or 2 - hour fire rated gypsum wallboard/stud assembly
- ② A) Steel Pipe - 6" diam.(or smaller) Sch. 40 (or heavier) steel
B) Conduit - 4" diam.(or smaller) EMT or rigid steel
- ③ TREMstopWBM - fill Max. 3/4" annulus at a thickness of 1-1/4" (2 Hr. F-rating) or 3/4" (1 Hr. F-rating).

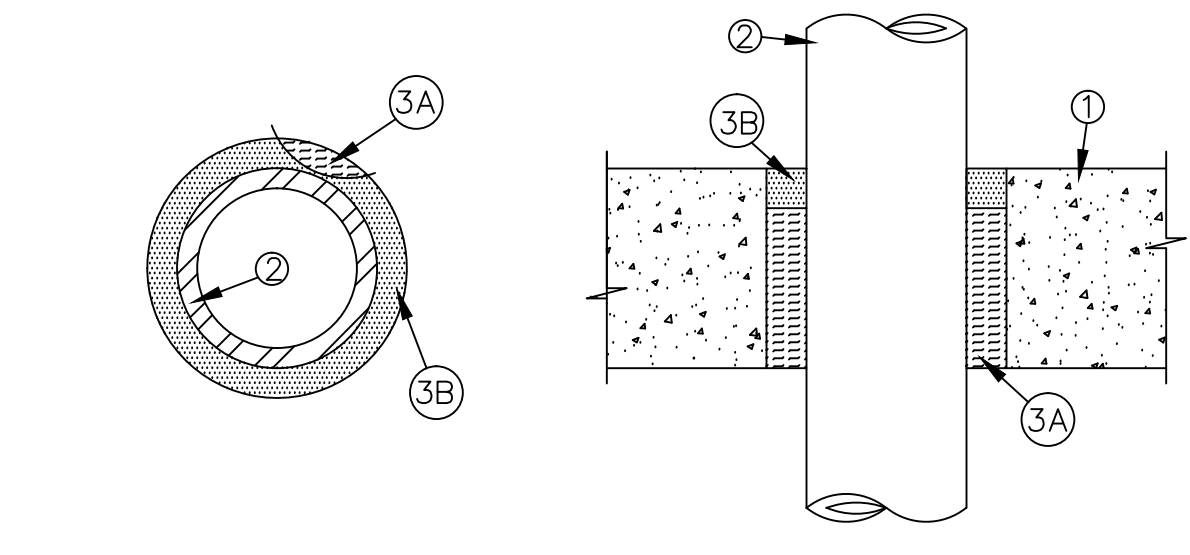


2 Hour Fire Rated Through Penetration Firestop for Single Metal Pipe through Concrete floors or walls using FYRE-SIL or FYRE-SIL S/L

CAJ1145

F-rating = 2 Hr.
T-rating = 0 Hr.

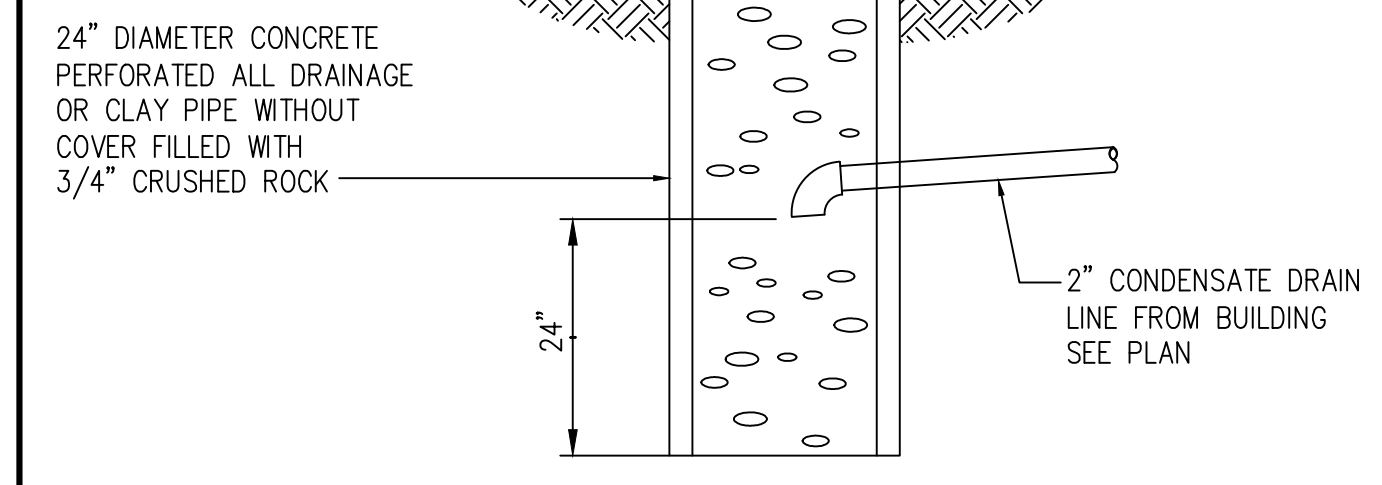
Drawing not to scale



- ① Floor or Wall assembly = 4 1/2" thick concrete
- ② Steel Pipe - 4" diam.(or smaller) Sch. 40 (or heavier) steel.
• Annular space is max. 3/4"
- ③ A) 3 1/2" thick mineral wool (min 4.0 pcf), friction fitted.
B) 1" thickness of FYRE-SIL or FYRE-SIL S/L (floors only)

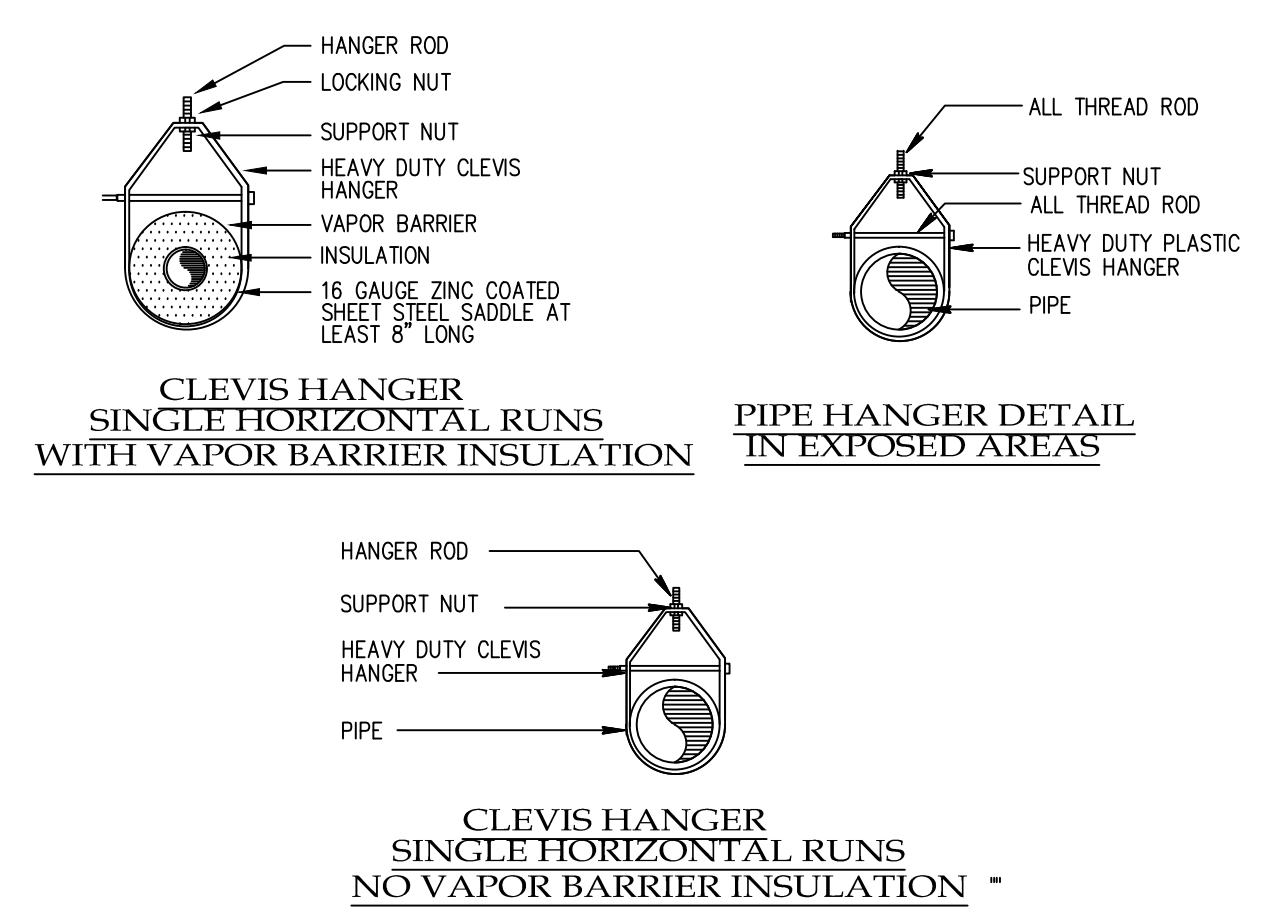
FIRE RATED PIPE PENETRATION DETAIL

NOT TO SCALE



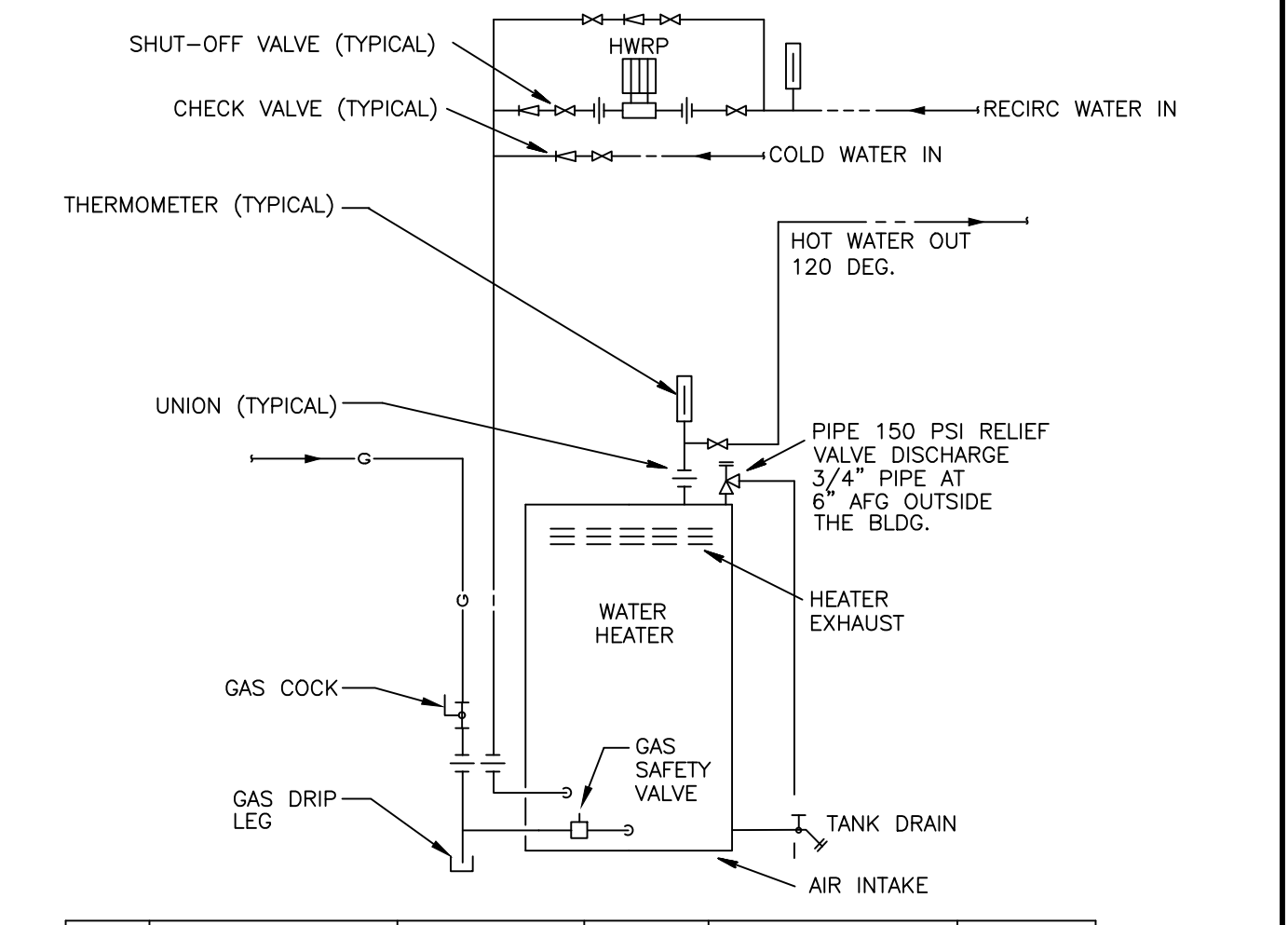
DRYWELL DETAIL

NOT TO SCALE



PIPE SUPPORT DETAIL

NOT TO SCALE

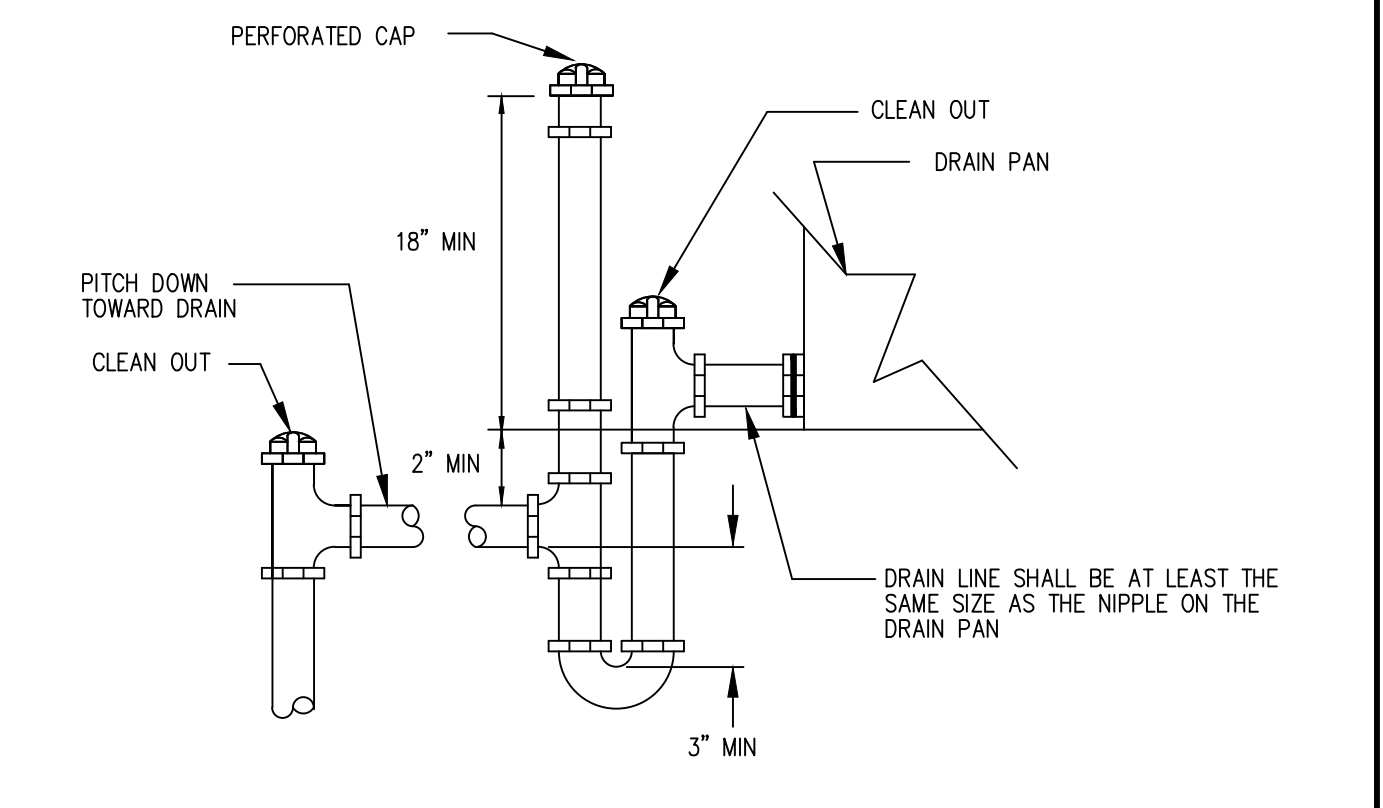


I.D.	MANUFACTURER	MODEL	GALS.	RECOVERY		BTUH
				G.P.M.	Δ TEMP.	
GWH	RINNAI	R94LSE	N/A	7	45'	199 MBH

HEATER CONSUMES 49 WATTS OF ELECTRICITY

GAS FIRED WATER HEATER DETAIL

NOT TO SCALE



CONDENSATE TRAP DETAIL

NOT TO SCALE