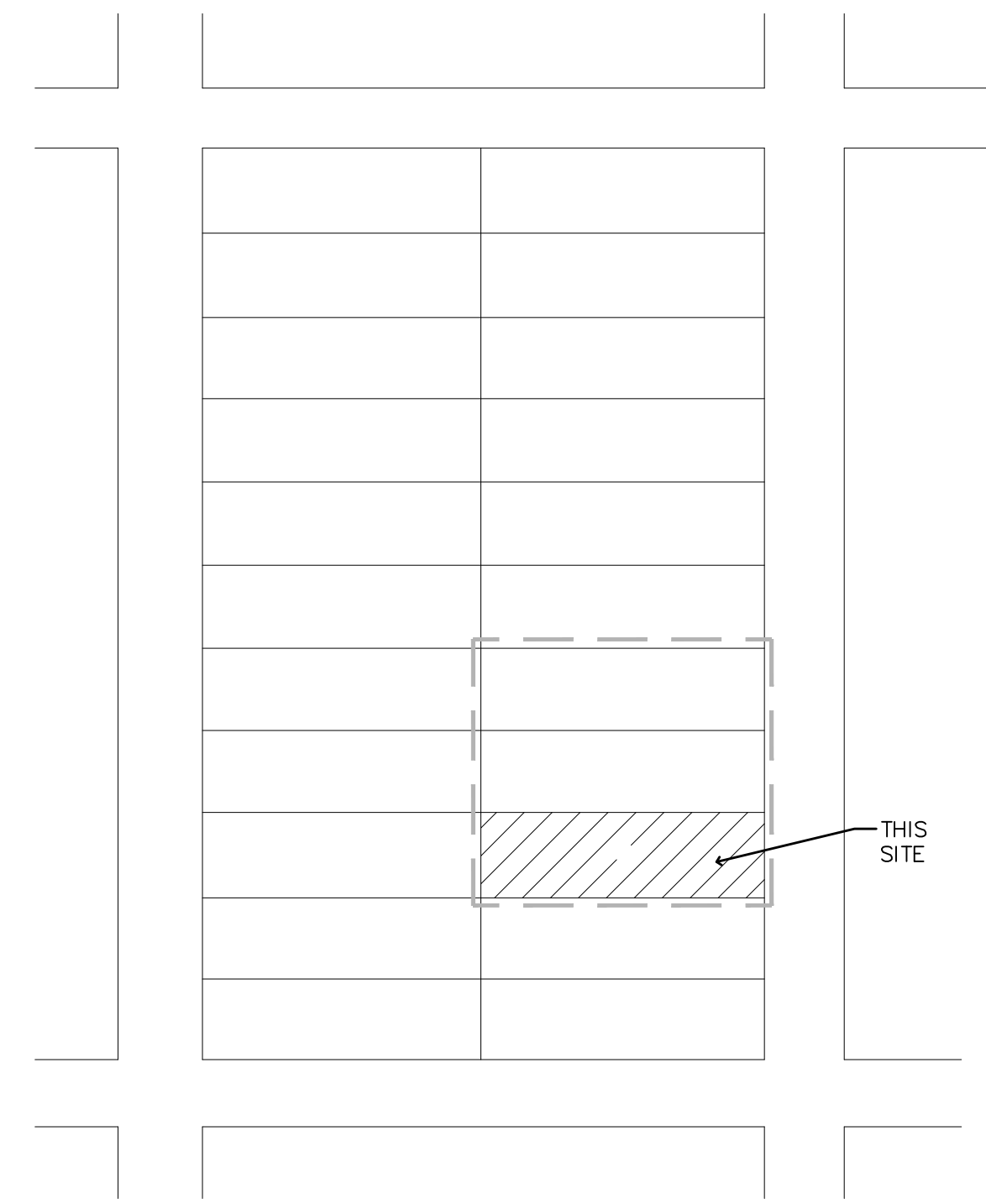


IRRIGATION LEGEND:

- 1" MAIN LINE
 - _____ LATERAL ZONE LINES.
 - ⊗ 1" VACUUM BREAKER: Wilkins WK720A-100.
 - ⊠ CONTROLLER - Hunter X-Core Electric 2 station controller mounted just inside the door of the Garage.
 - △ Mini Klik automatic rain sensor shutoff switch mounted outside on eave of structure.
 - ⊕ ZONE VALVES - 1" Hunter PGV.
 - Ⓜ 1" WATER METER.
 - Ⓢ SLEEVES - Sch. 40, 2 Sizes Larger.
NOTE - Pipe Size Shown is the Lateral Size, NOT the Sleeve Size
 - 6" POP-UP SPRAY - Hunter Pro-Spray Series: Fixed or Adjustable Arc Nozzles as Required.
 - 15' R 8' R
 - 90 Q 360 F
 - ⊛ 6" POP-UP FLOOD BUBBLER - Hunter MSBN-10H.
 - ⊕ 6" Hunter POP-UP STREAM BUBBLER - 8'R.
 - SS-530 5 x 30'
 - SS-918 9 x 18'
- ALL ZONES = 14 GPM Each.



LOCATION MAP

NTS

IRRIGATION NOTES:

Piping:
Main Lines: PVC SCH 40 Solvent Weld.
Zone Lines: PVC SCH 40 Solvent Weld. 1/2 in. and 3/4 in. are not used.
All pipe = 1 in.
Sleeves and suction Line: PVC SCH 40.

Fittings: SCH 40 PVC

Fabrication: To manufacturers specifications. Use blue or grey PVC cement, square cut, clean and prime all joints.

Allow all main lines to cure for 24 hours before pressuring.

All pipe, fittings, and solvents to conform to latest ASTM specs.

Depth of Lines: Main Line and wiring = 18 in. depth, min.
Sleeving under pavement = 24 in. depth, min.
Suction Line = 24 in. depth, nominal.
Zone Lines 1-1/2 in. and smaller = 10 in. depth, min.

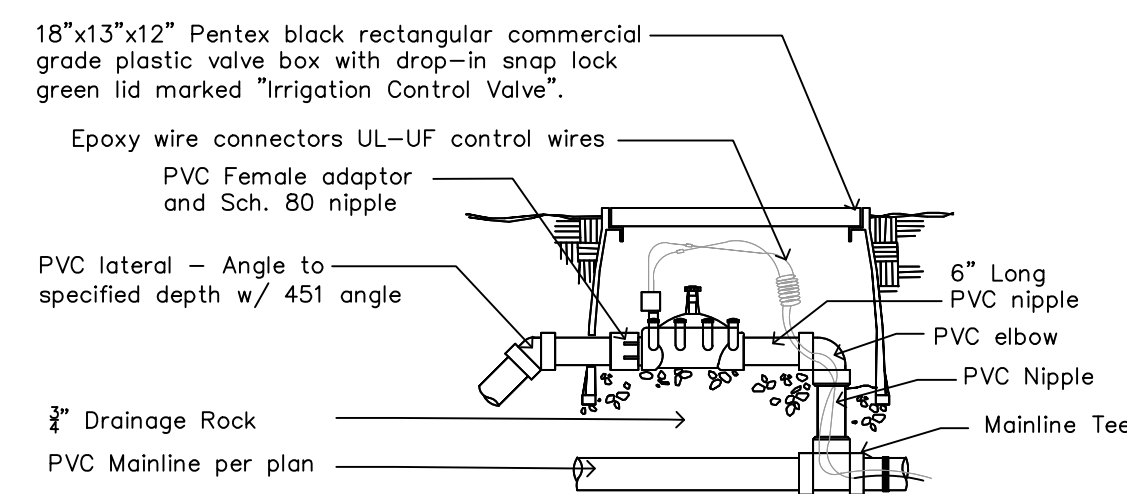
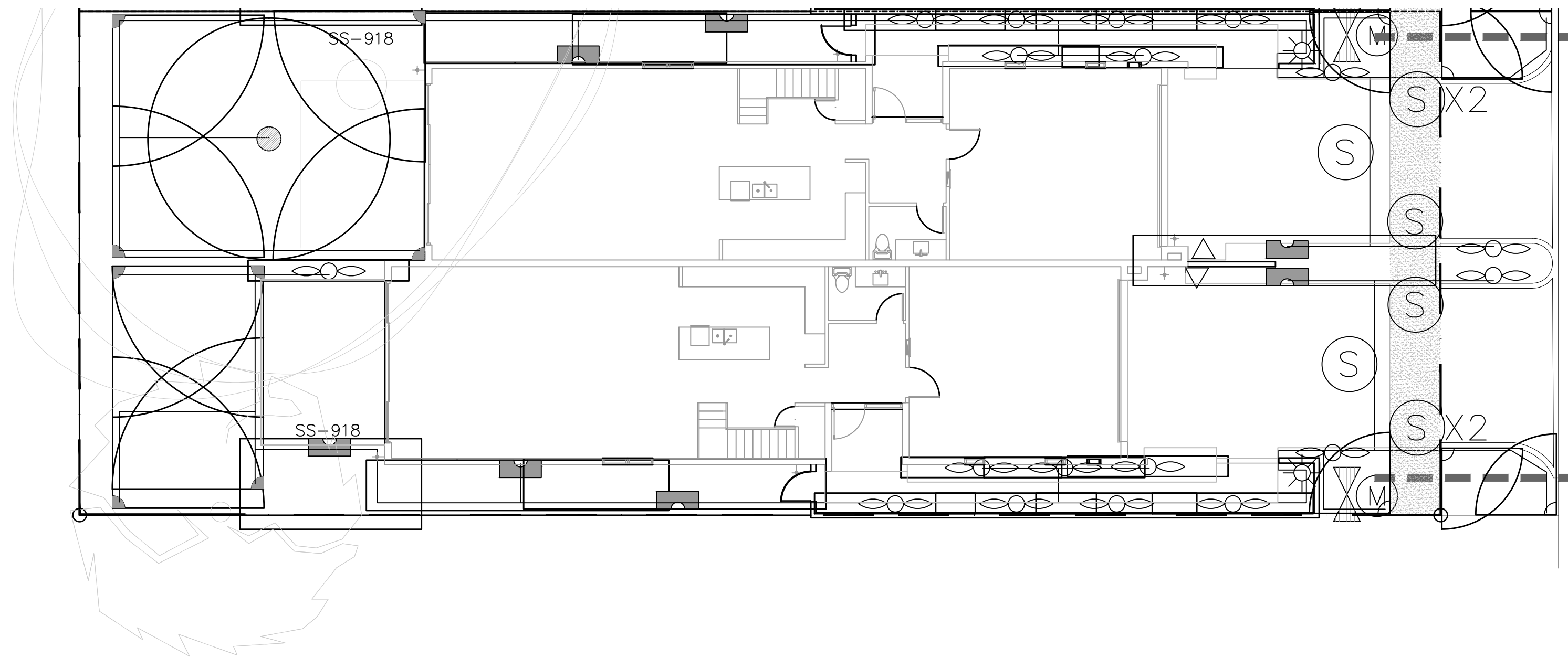
Control Wires: AWG 14 for all hot wires and AWG 12 for common.
Solid copper type UF UL listed for direct burial.
Run wires under main.
Run spares, two min.
Splice wires only in a valve box. All splices shall be moisture proof using Snap tite or DBY UL connectors.
Common shall be white, hot shall be red or color coded
Spare shall be black. Run all wires in Grey Electrical SCH 40 conduit.

Backfill all trenches free of debris, compact to original density, flush all lines, use screens in all heads, adjust heads for proper coverage avoiding excess water on walls, walks, etc.

All details are graphically shown only. All quantities shall be verified by the contractor prior to installation. It shall be the contractors responsibility to assure complete overlapping coverage. Any discrepancies shall be reported to the owner and landscape architect before proceeding. Codes and local regulations shall take precedence over these plans, it is the contractors responsibility to comply. The landscape architect reserves the right to make minor field changes, the contractor may field adjust spray nozzle selection to provide for proper 100% min. coverage.

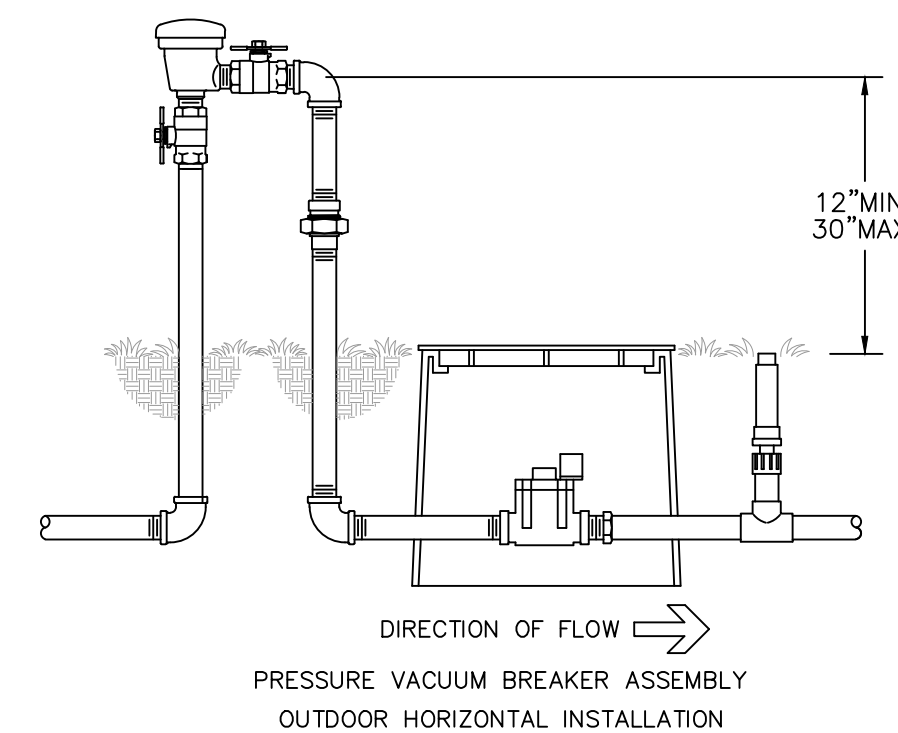
Provide owner with an accurate as installed plan(s) at completion showing main lines, wiring, valves, crossings, etc. using dimensions from fixed datums.

Contractor shall verify all underground utilities prior to commencement of work.



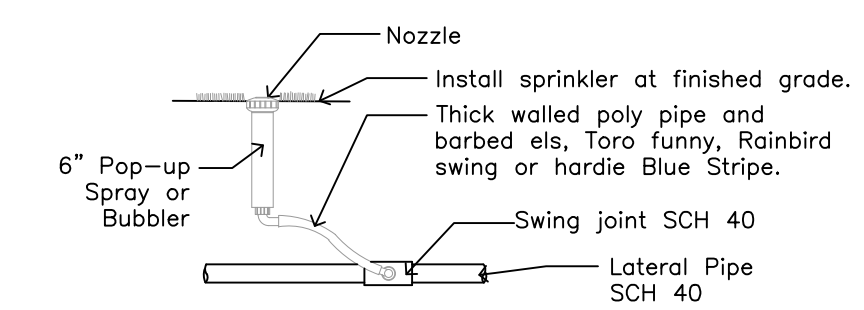
Zone Valve Detail

NTS



WILKINS MODEL 720A

NTS



6" Pop-up Spray / Bubbler Detail

NTS

REVISIONS

8-6-2015: Sidewalk Added.

